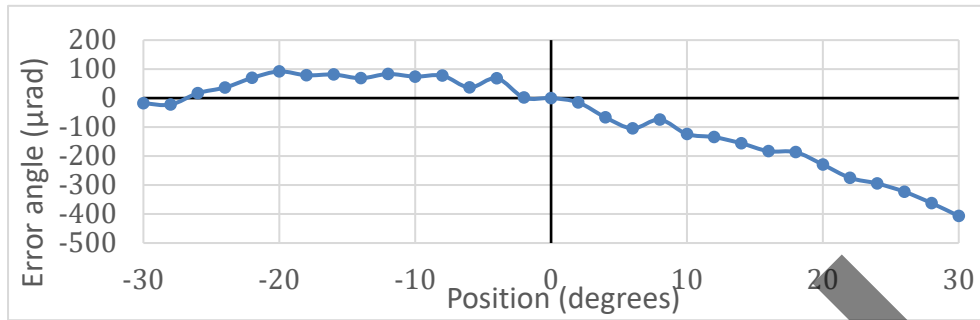
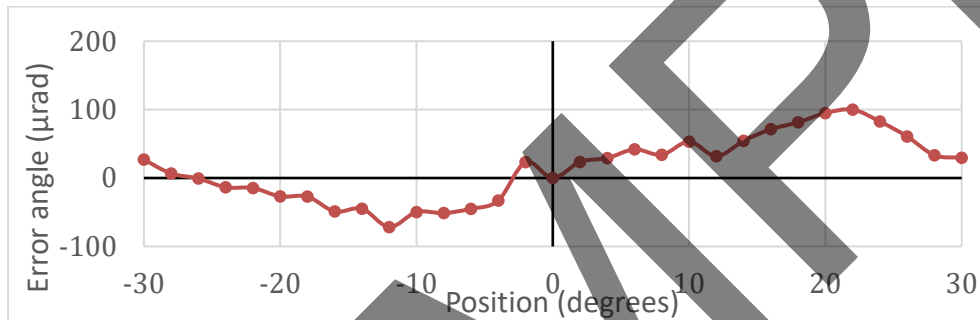


## Position Accuracy



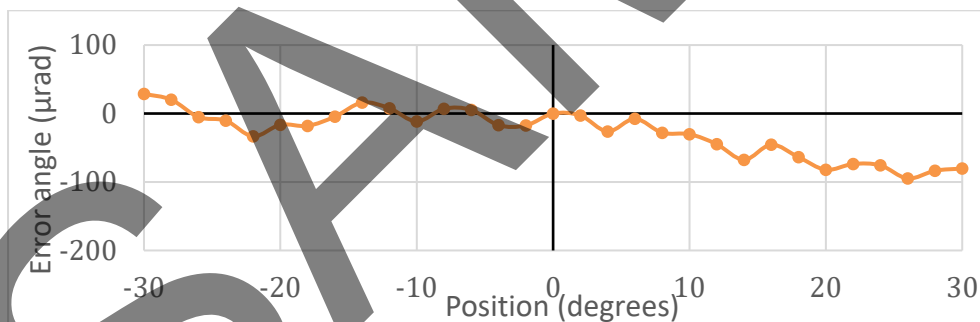
Position Accuracy (µrad)	
Min	-407
Max	92
Range	499
Web Specifications	±300

## Yaw Deviation

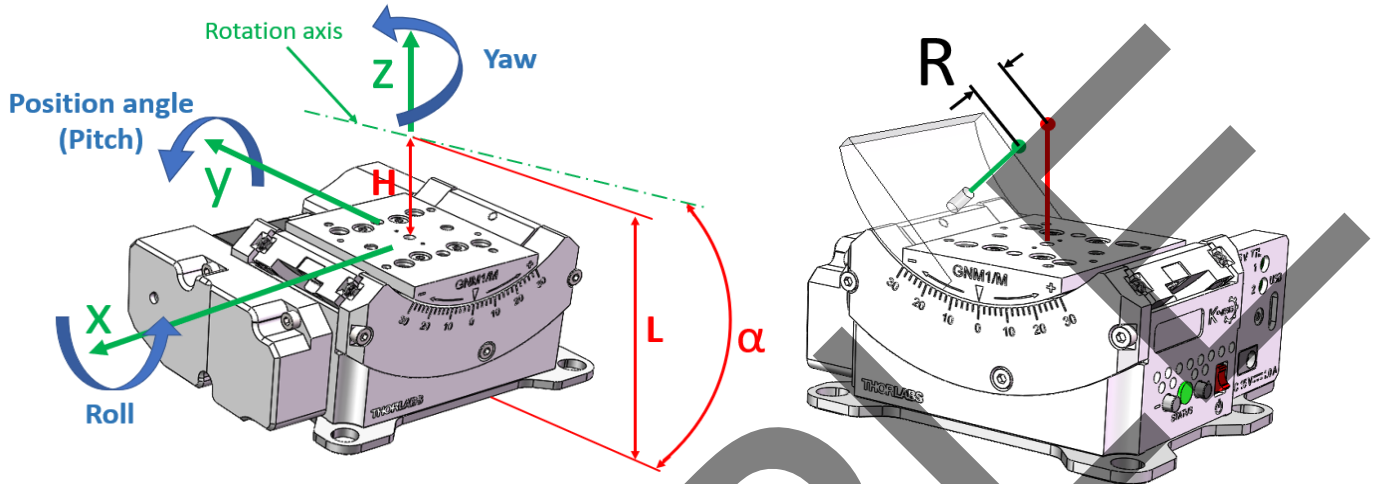


Yaw Deviation (µrad)	
Min	-72
Max	100
Range	172
Web Specifications	±400

## Roll Deviation



Roll Deviation (µrad)	
Min	-95
Max	29
Range	124
Web Specifications	±400



	Tested	Web Specifications	Units
Distance from top (H)	30.006	30 ±0.010	mm
Distance from bottom (L)	70.007	70 ±0.010	mm
Axis angle ( $\alpha$ )	8	±400	$\mu$ rad
Sphere of confusion (R)	20	60 Max	$\mu$ m

Test setup: Temperature 20°C; base plate flatness 3  $\mu$ m / 100 mm; machine – CMM with 2.2  $\mu$ m accuracy; load 0.19 kg.